

KEY FEATURES

- High power handling: 800 W program power
- 3" copper wire voice coil
- High sensitivity: 99 dB (1W / 1m)
- FEA optimized ceramic magnetic circuit
- Designed with MMSS technology for high control, linearity and low harmonic distortion
- Waterproof cone treatment on both sides of the cone
- Extended controlled displacement: $X_{max} \pm 6,3$ mm
- $X_{damage} \pm 30$ mm
- Low harmonic distortion and linear response
- Wide range of applications of low and mid-low frequencies

TECHNICAL SPECIFICATIONS

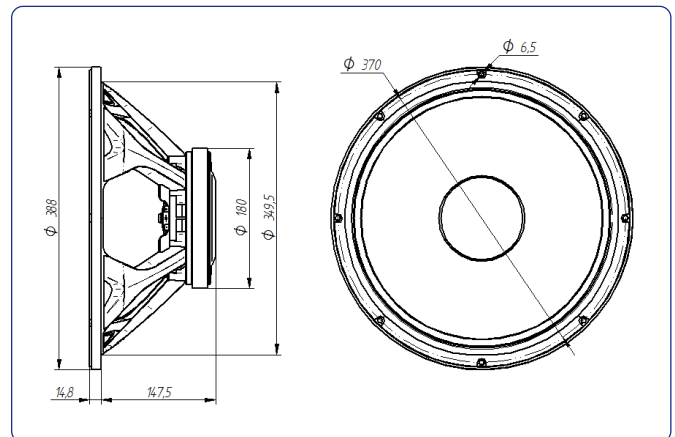
Nominal diameter	380 mm	15 in
Rated impedance		8 Ω
Minimum impedance		6,4 Ω
Power capacity*		400 W _{AES}
Program power		800 W
Sensitivity	99 dB	1W / 1m @ Z _N
Frequency range		35 - 4.000 Hz
Recom. enclosure vol.	70 / 150 l	2,45 / 5,25 ft ³
Voice coil diameter	77 mm	3 in
Bl factor		19,2 N/A
Moving mass		0,091 kg
Voice coil length		16 mm
Air gap height		8 mm
X_{damage} (peak to peak)		30 mm

THIELE-SMALL PARAMETERS**

Resonant frequency, f_s	36 Hz
D.C. Voice coil resistance, R_e	5,5 Ω
Mechanical Quality Factor, Q_{ms}	8,2
Electrical Quality Factor, Q_{es}	0,32
Total Quality Factor, Q_{ts}	0,30
Equivalent Air Volume to C_{ms} , V_{as}	224 l
Mechanical Compliance, C_{ms}	205 μ m / N
Mechanical Resistance, R_{ms}	2,5 kg / s
Efficiency, η_0	3,4 %
Effective Surface Area, S_d	0,088 m ²
Maximum Displacement, X_{max} ***	6,3 mm
Displacement Volume, V_d	555 cm ³
Voice Coil Inductance, L_e @ 1 kHz	1 mH



DIMENSION DRAWINGS



MOUNTING INFORMATION

Overall diameter	388 mm	15,28 in
Bolt circle diameter	370 mm	14,57 in
Baffle cutout diameter:		
- Front mount	349,5 mm	13,76 in
Depth	160 mm	6,30 in
Net weight	6,1 kg	13,4 lb
Shipping weight	7,1 kg	15,6 lb

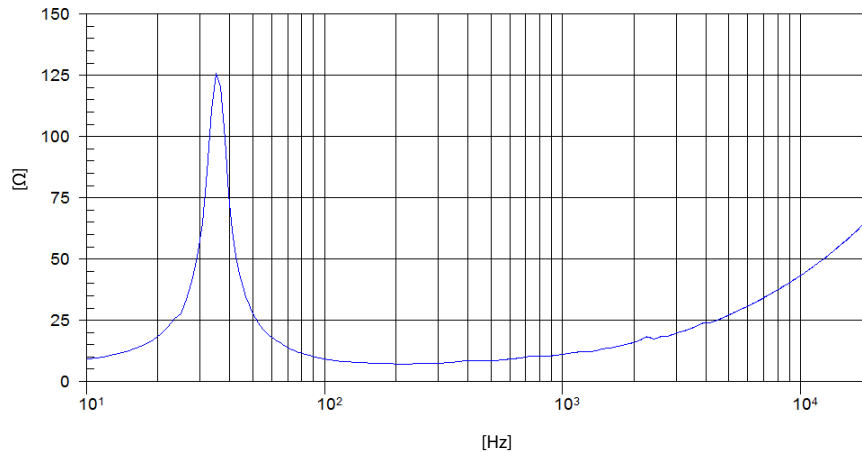
Notes:

* The power capacity is determined according to AES2-1984 (r2003) standard. Program power is defined as the transducer's ability to handle normal music program material.

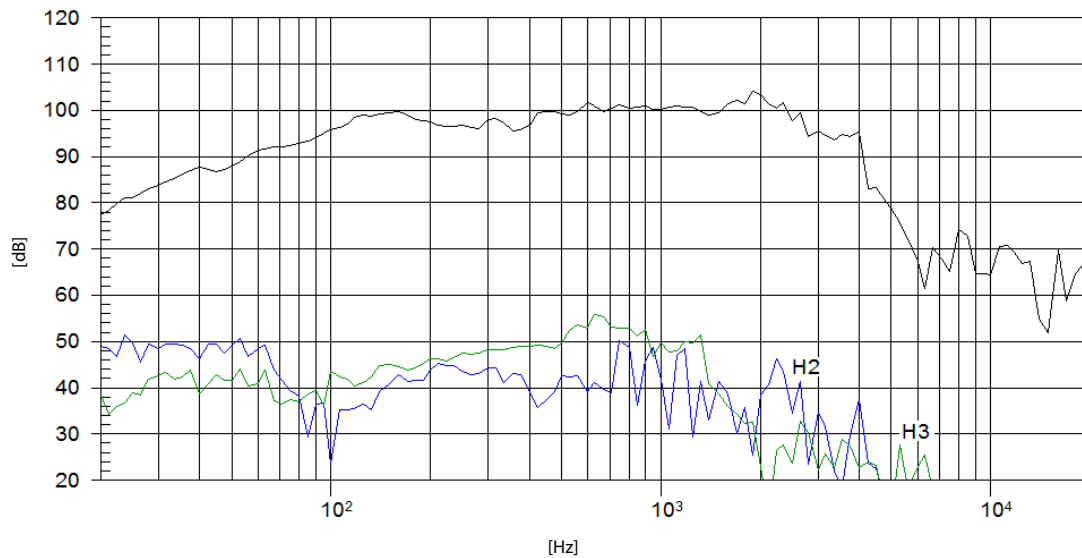
** T-S parameters are measured after an exercise period using a preconditioning power test. The measurements are carried out with a velocity-current laser transducer and will reflect the long term parameters (once the loudspeaker has been working for a short period of time).

*** The X_{max} is calculated as $(L_{vc} - H_{ag})/2 + (H_{ag}/3,5)$, where L_{vc} is the voice coil length and H_{ag} is the air gap height.

FREE AIR IMPEDANCE CURVE



FREQUENCY RESPONSE AND DISTORTION



Note: On axis frequency response measured with loudspeaker standing on infinite baffle in anechoic chamber, 1W @ 1m