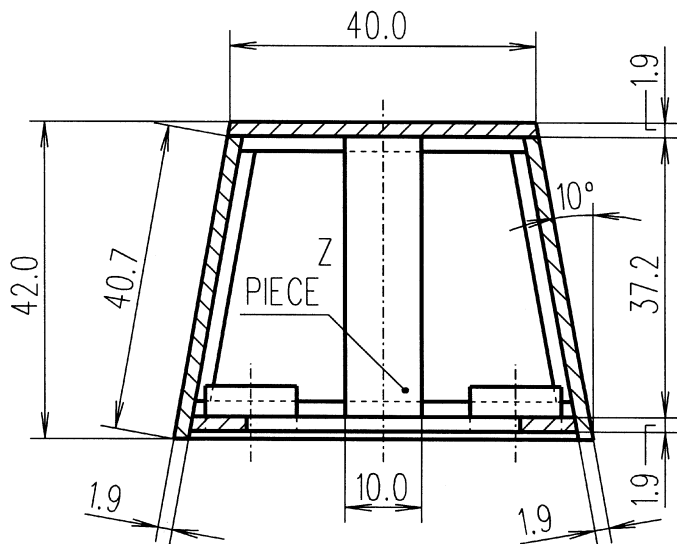
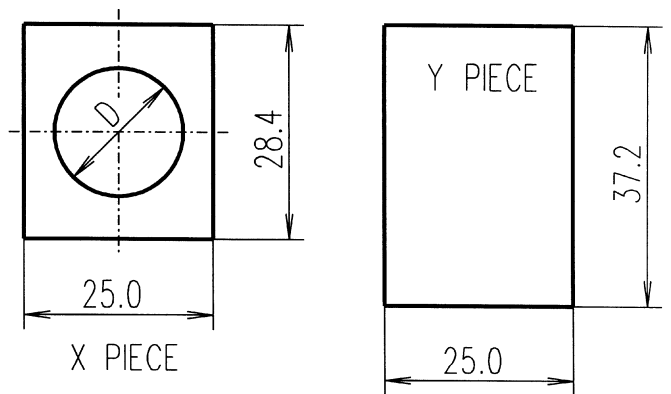


A-A' CROSS SECTION



B-B' CROSS SECTION



MODEL	D	L
CP-850/Nd	17.0 cm.	10.8 cm.
CP-800/Ti	23.3 cm.	10.8 cm.
CP-750/Ti	20.5 cm.	14.4 cm.

MODEL	ENCLOSURE DESIGN	FREQUENCY RESPONSE	EFFICIENCY	POWER CAPACITY	IMPEDANCE
<b>B-06/3</b>	2 WAY BASS-REFLEX	45 Hz - 18 kHz	101 dB 1w @ 1m	700 w RMS	4 ohms.
<b>COMPONENTS</b>	2 bass units 15''G-450/N or 15''G-40 8 ohms.				
	1 compression driver CP-850/Nd or CP-800/Ti or CP-750/Ti 8 ohms.				
	1 high frequency horn TD-460/N or TD-400/N.				
	1 passive crossover FD-212.				