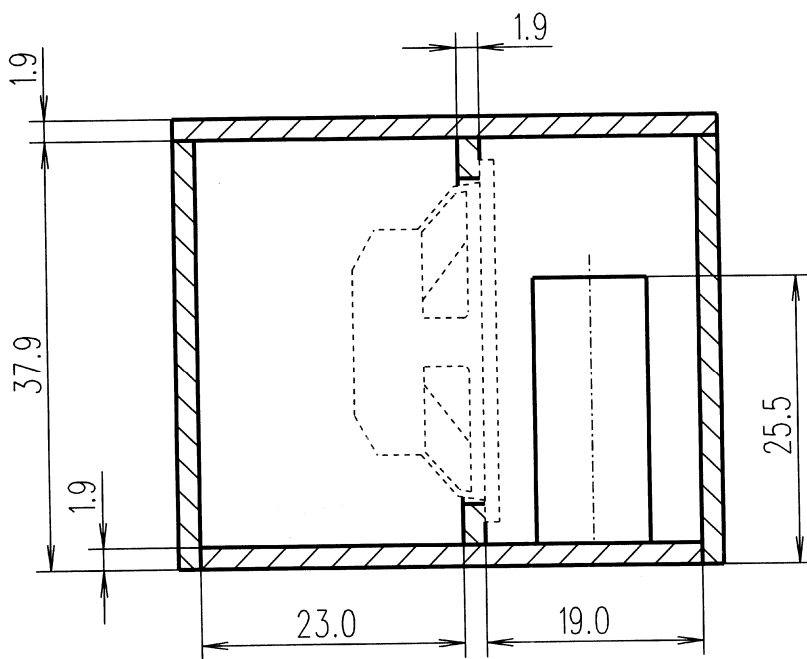
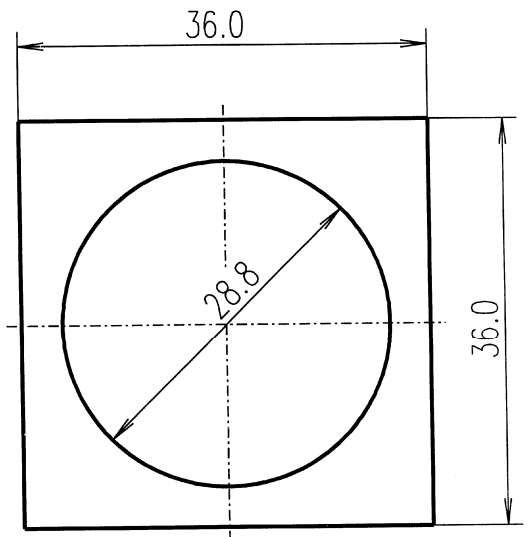


A-A' CROSS SECTION



B-B' CROSS SECTION



X PIECE

MODEL	ENCLOSURE DESIGN	FREQUENCY RESPONSE	EFFICIENCY	POWER CAPACITY	IMPEDANCE
B-35/3	BAND-PASS SUBWOOFER	45 Hz - 120 Hz	97 dB 1w @ 1m	150 w RMS	8 ohms.
COMPONENTS	1 bass unit 12"B-100/R 8 ohms.				