

12E120

GUITAR LOUDSPEAKER

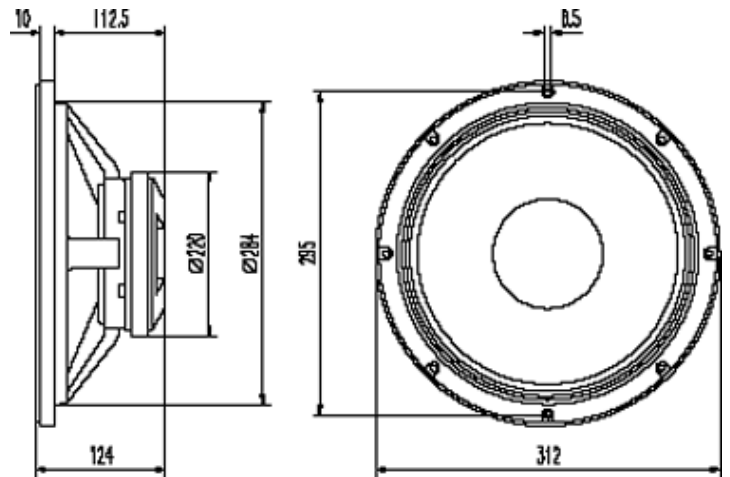
DESCRIPTION

This 12" loudspeaker exhibits high efficiency and wide response. It has been designed for lead or rhythm guitar, permitting optimum clarity, versatility and power from those instruments.



SPECIFICATIONS

Nominal diameter	300 mm
Rated impedance	8 ohms
Power capacity	200 W AES
Sensitivity	102 dB, 1W @ 1m
Frequency range	50-6000 Hz
Voice coil diameter	100 mm - 4"
Voice coil length	9 mm
Air gap height	9,5 mm
Magnet assembly weight	8,6 kg
BL factor	21,3 N/A

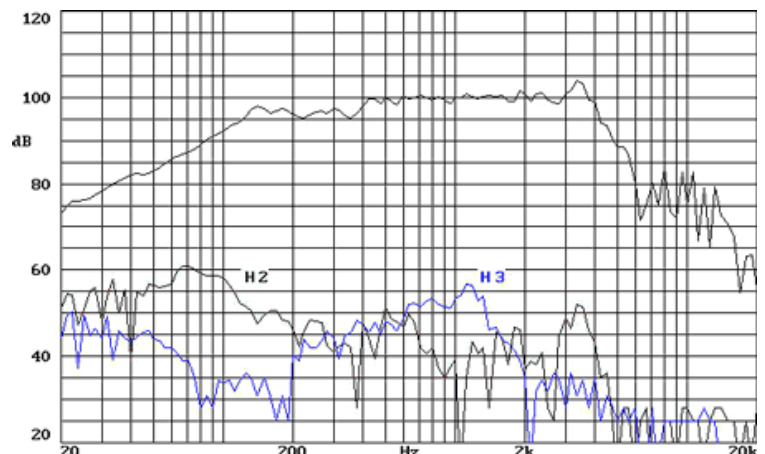


THIELLE-SMALL PARAMETERS

fs	37 Hz
Re	5,7 ohms
Qms	8,46
Qes	0,17
Qts	0,16
Vas	130 l
no	3,8 %
Sd	0,055 m ²
Xmax	2,5 mm
Vd	530 cm ³
Le	1,4 mH @ 1kHz

MOUNTING INFORMATION

Overall diameter	312 mm
Bolt circle diameter	295 mm
Baffle cutout diameter	
-Front mount	284 mm
-Rear mount	284 mm
Depth	124 mm
Volume displaced by driver	5,5 l
Net weight	9,5 kg
Shipping weight	10,2 kg



MATERIALS

Basket	Cast aluminium
Magnet	Ferrite
Cone	Paper
Surround	Cloth
Voice coil	Edgewound aluminium ribbon