

KEY FEATURES

- 2 way bass-reflex system
- Built-in 70/100V transformer with 8 ohms option
- 5 individual power settings in 70/100V mode
- 90° dispersion angle
- White ABS back cover
- Easy to install
- Designed for public address in-wall applications

TECHNICAL SPECIFICATIONS

| | |
|------------------|---|
| Type | 2 way bass-reflex system |
| Nominal diameter | 165 mm. 6.5 in. |
| Rated impedance | 8 ohms. |
| Power capacity | 50 w RMS (8 ohms.) 2.5 / 5 / 10 / 15 / 20 w (70/100 v) |
| Sensitivity | 88 dB, 1 w @ 1 m |
| Frequency range | 20-20000 Hz |
| Dispersion angle | 90° |
| Transformer line | 70/100 v |

MOUNTING INFORMATION

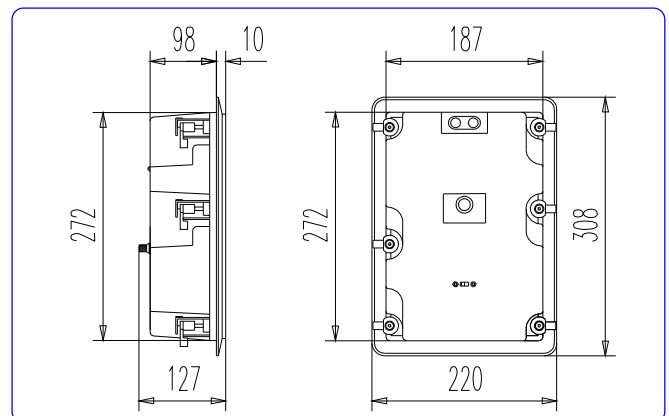
| | |
|---------------------|--------------------------------|
| Overall dimensions | 308 x 220 mm. 12.13 x 8.66 in. |
| Mounting dimensions | 272 x 187 mm. 10.70 x 7.36 in. |
| Depth | 127 mm. 5 in. |
| Net weight | 2.6 kg. 5.72 lb. |

MATERIALS

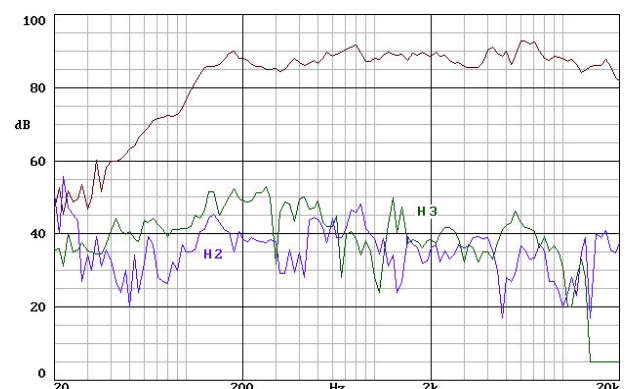
- **LF unit diaphragm:** propylene.
- **HF unit diaphragm:** polycarbonate.
- **Grid:** metal.
- **Back cover:** ABS.



DIMENSION DRAWINGS



FREQUENCY RESPONSE AND DISTORTION CURVES



Note: on axis frequency response measured with loudspeaker standing on infinite baffle in anechoic chamber, 1w @ 1m.